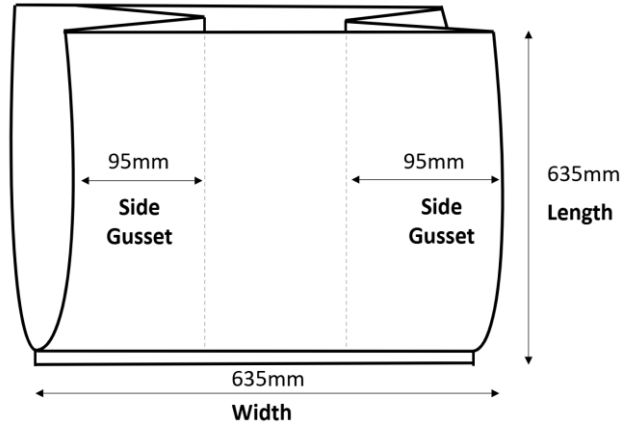


Product code:	BFPLL4002
Product description:	LINER HD VS 635 635+380 16UM NAT RL.
Product information:	Gusset Bag on Roll
Carton barcode:	
Inner package barcode:	

Physical Specification

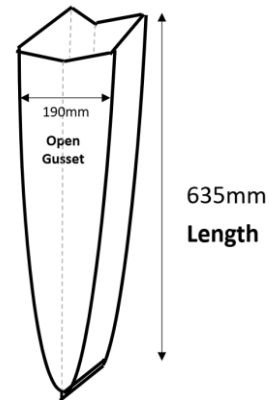
Length (mm):	635
Width (mm):	635
Gusset (mm):	190
Open width (mm):	1015
Thickness (mic/um):	16
Material:	HDPE
Virgin or recycled:	VIRGIN
Film colour:	Natural
Printed:	
Bag weight (g):	19.00



FRONT VIEW

Packing Specification

Count per roll:	500
Flat pack or roll:	ROLL
Inner pack qty:	
Core material:	Plastic
Pack qty per roll:	1
Carton dimensions (LWH):	650X185X185 MM
Weight per roll (kg):	10.00
Cartons per pallet:	
Layer per pallet:	
Other:	



SIDE VIEW

Quality Specification

Tensile load MD:	
Tensile load TD:	
Base seal strength:	
Dart impact:	
Lift capacities:	

Country of Origin: CHINA

Created: 23/02/2025

Last Edited: 23/02/2025

Storage Conditions: Store in a cool, dry area, way from direct sunlight and humidity.