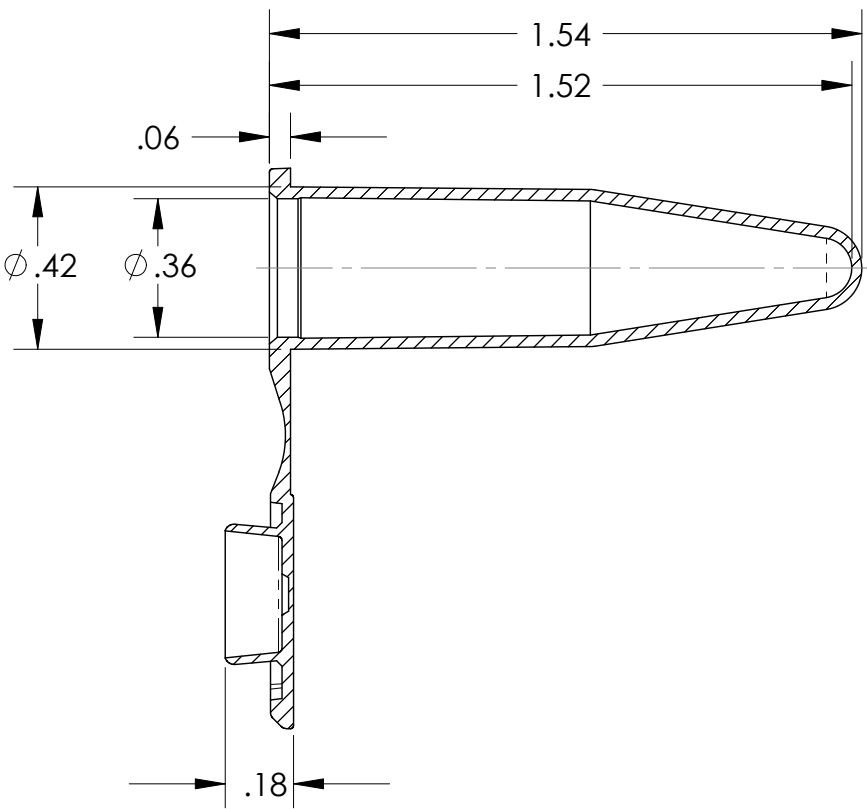
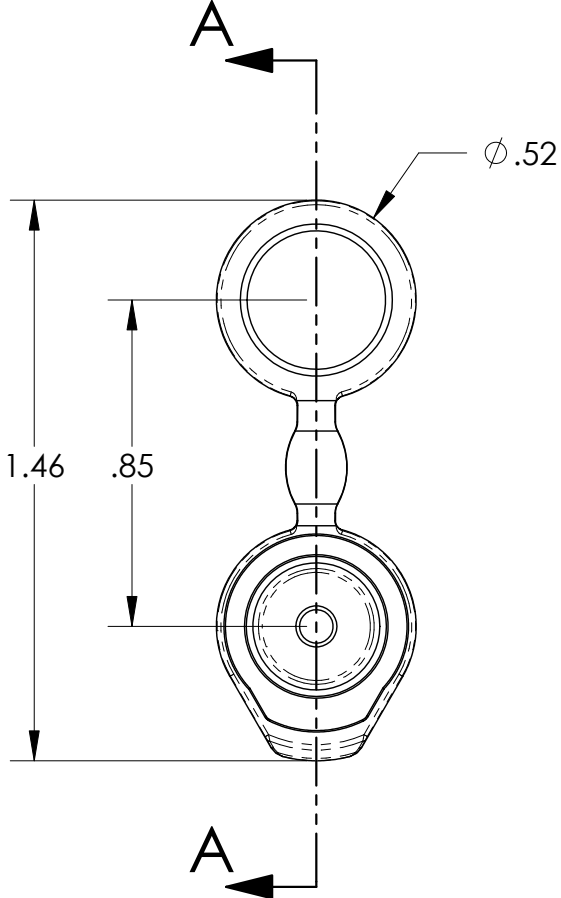
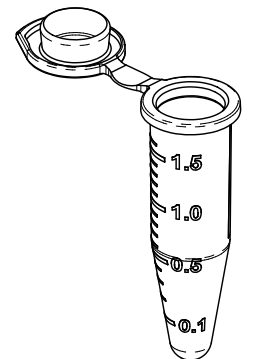


REVISIONS			
REV.	DESCRIPTION	DATE	APPROVED



SECTION A-A



UNLESS OTHERWISE SPECIFIED
DIMENSIONS ARE IN INCHES
TOLERANCES ARE:

FRACTIONS	DECIMALS	ANGLES
+1/64	.XX ± .01	+ 1
	.XXX ± .001	
	.XXXX ± .0005	

MATERIAL	--
FINISH	--
DO NOT SCALE DRAWING	

CAD GENERATED DRAWING.
DO NOT MANUALLY UPDATE

APPROVALS	DATE
DRAWN S. KRAMER	12/3/2004
CHECKED	
RESP ENG	
MFG ENG	
QUAL ENG	



**1310 Thurman Street
Lodi CA, 95240
Ph: (209) 333-2120
Fx: (209) 333-8623
tooling@scientificspecialties.com**

1210-00
**TUBE, 1.5mL, MICROCENTRIFUGE,
GRADUATED**

SIZE A	SHRINK RATE	REV. --
SCALE 2:1	JOB NO.	SHEET 1 OF 1

PRINTED 12/3/2004