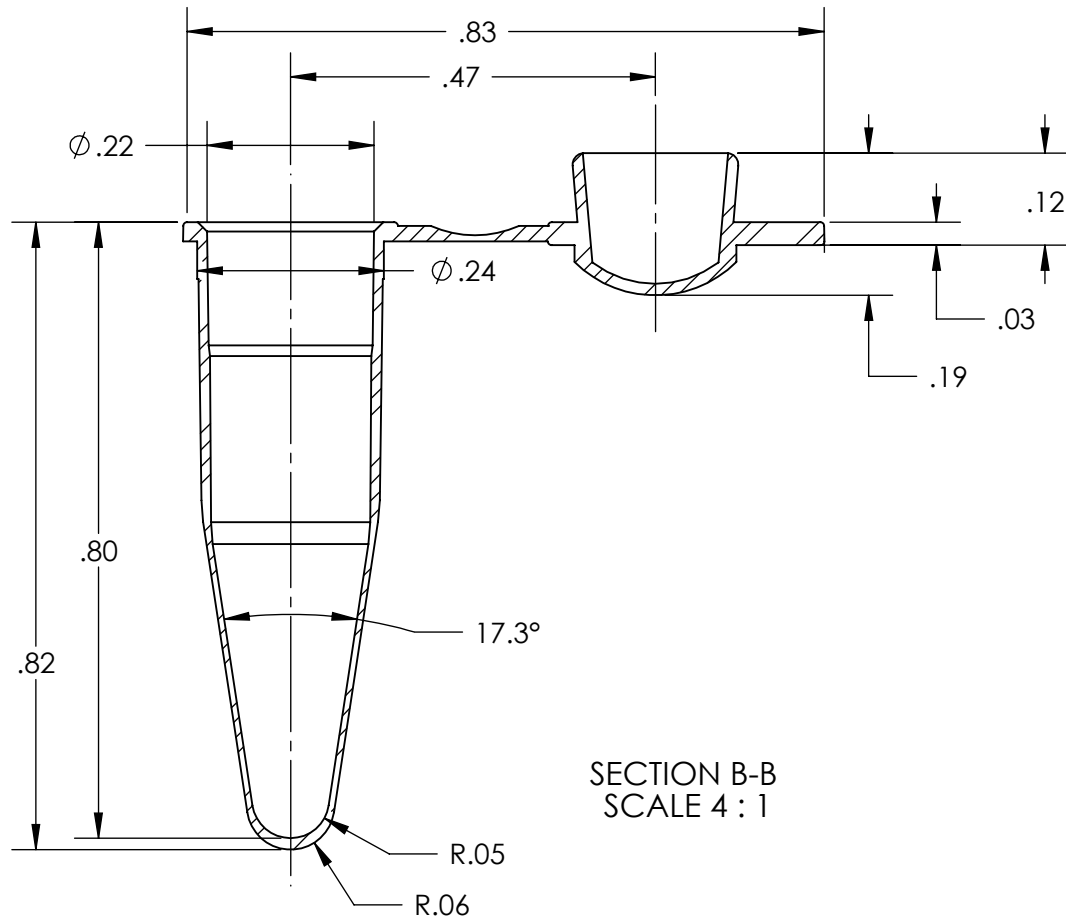
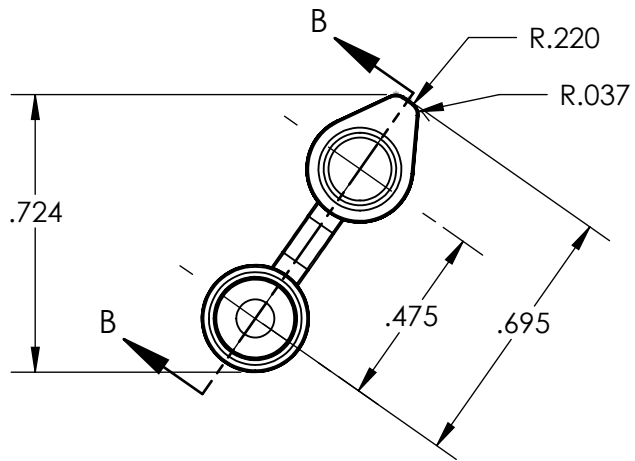
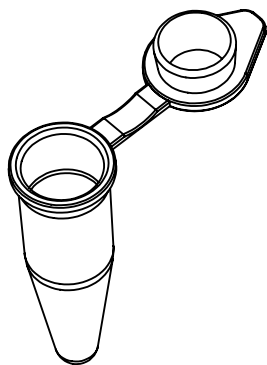


REV.	DESCRIPTION	DATE	APPROVED
------	-------------	------	----------



SECTION B-B  
SCALE 4 : 1



UNLESS OTHERWISE SPECIFIED  
DIMENSIONS ARE IN INCHES  
TOLERANCES ARE:

FRACTIONS	DECIMALS	ANGLES
$\pm 1/64$	.XX $\pm$ .01	$\pm 0.1$
	.XXX $\pm$ .001	
	.XXXX $\pm$ .0005	

MATERIAL

FINISH

DO NOT SCALE DRAWING

CAD GENERATED DRAWING.  
DO NOT MANUALLY UPDATE

APPROVALS	DATE
DRAWN JWALLS	6-17-08
CHECKED	
RESP ENG	
MFG ENG	
QUAL ENG	



1310 Thurman Street  
Lodi CA, 95240  
Ph: (209) 333-2120  
F: (209) 333-8623  
info@scientificspecialties.com

3210  
PCR TUBE W/ DOMED CAP

SIZE	SHRINK RATE	REV.
A		--
SCALE 2:1	JOB NO.	SHEET 1 OF 1