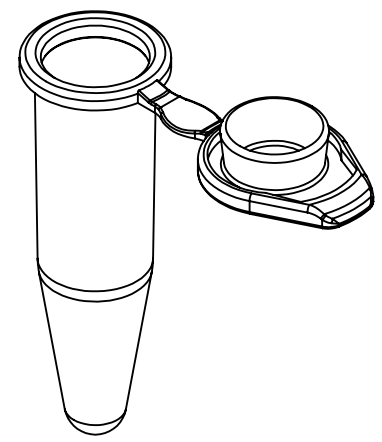
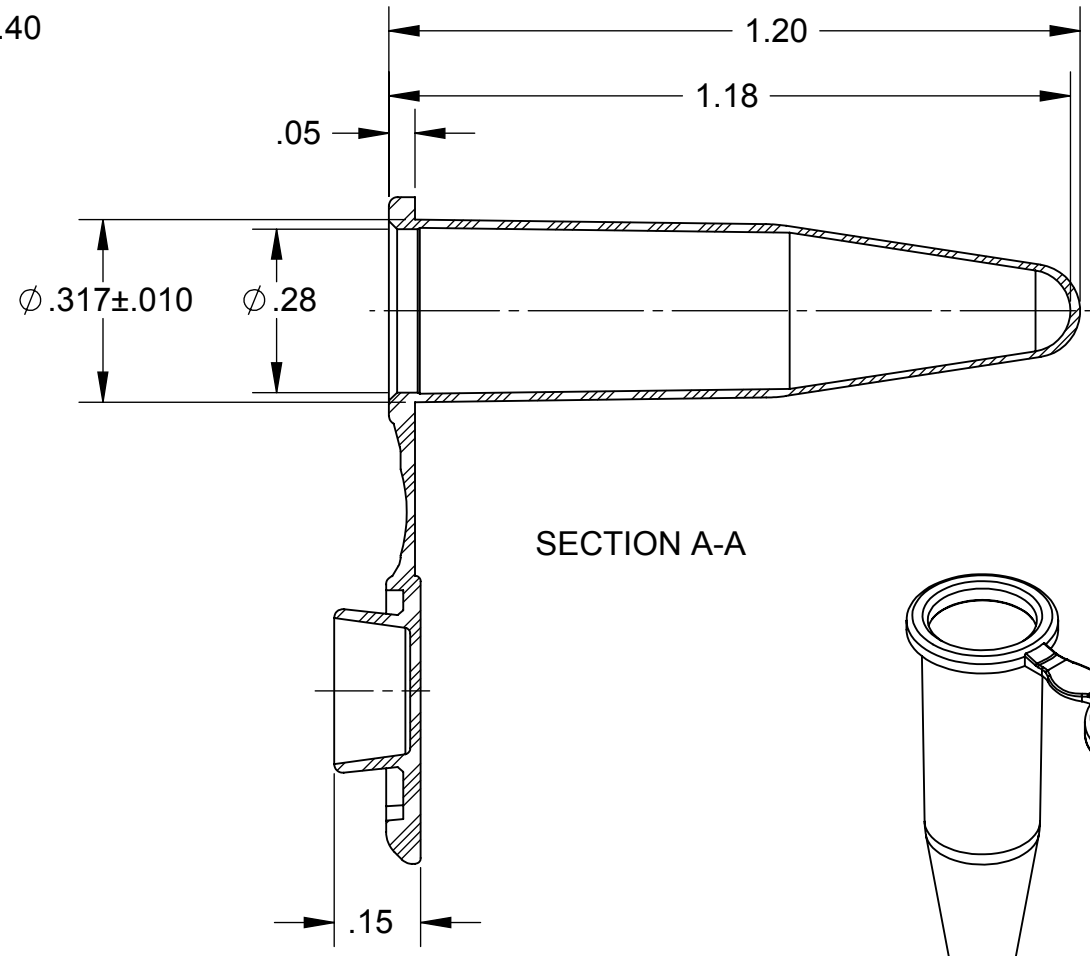
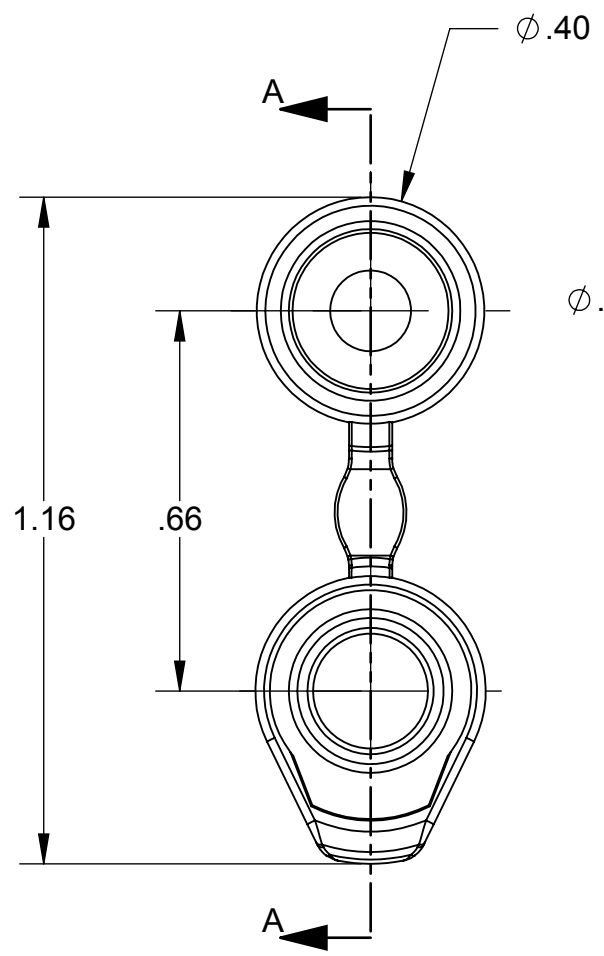



REV.	DESCRIPTION	DATE	APPROVED
------	-------------	------	----------



UNLESS OTHERWISE SPECIFIED DIMENSIONS ARE IN INCHES TOLERANCES ARE: FRACTIONS DECIMALS ANGLES $\pm 1/64$.XX \pm .01 \pm 0.1 .XXX \pm .001 .XXXX \pm .0005		CAD GENERATED DRAWING, DO NOT MANUALLY UPDATE		 1310 Thurman Street Lodi CA, 95240 Ph: (209) 333-2120 Fx: (209) 333-8623 info@scientificspecialties.com
MATERIAL		APPROVALS	DATE	
FINISH		DRAWN	7-31-09	3320-00 TUBE, 0.5mL, MICROCENTRIFUGE STANDARD
DO NOT SCALE DRAWING		CHECKED		
		RESP ENG		
		MFG ENG		SIZE
		QUAL ENG		A
				SHRINK RATE
				2:1
				REV.
				--
				JOB NO.
				SHEET 1 OF 1

PRINTED 7/31/2009