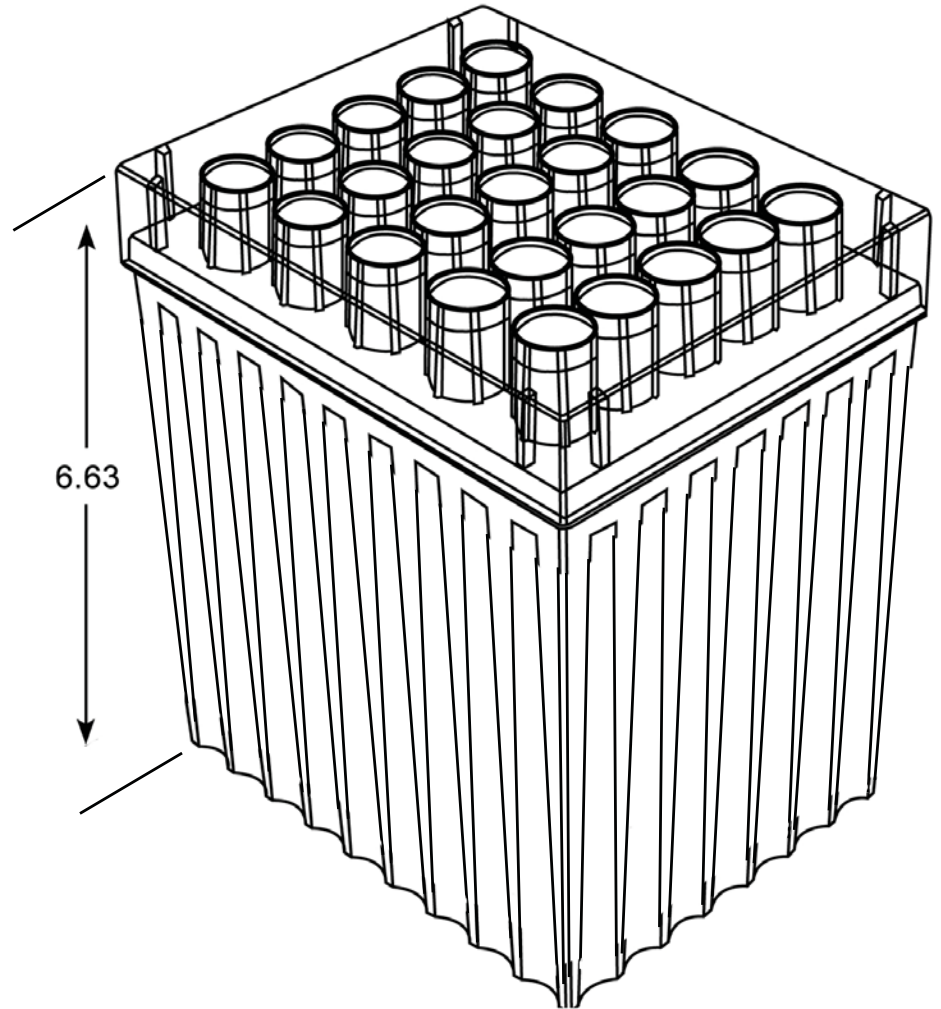
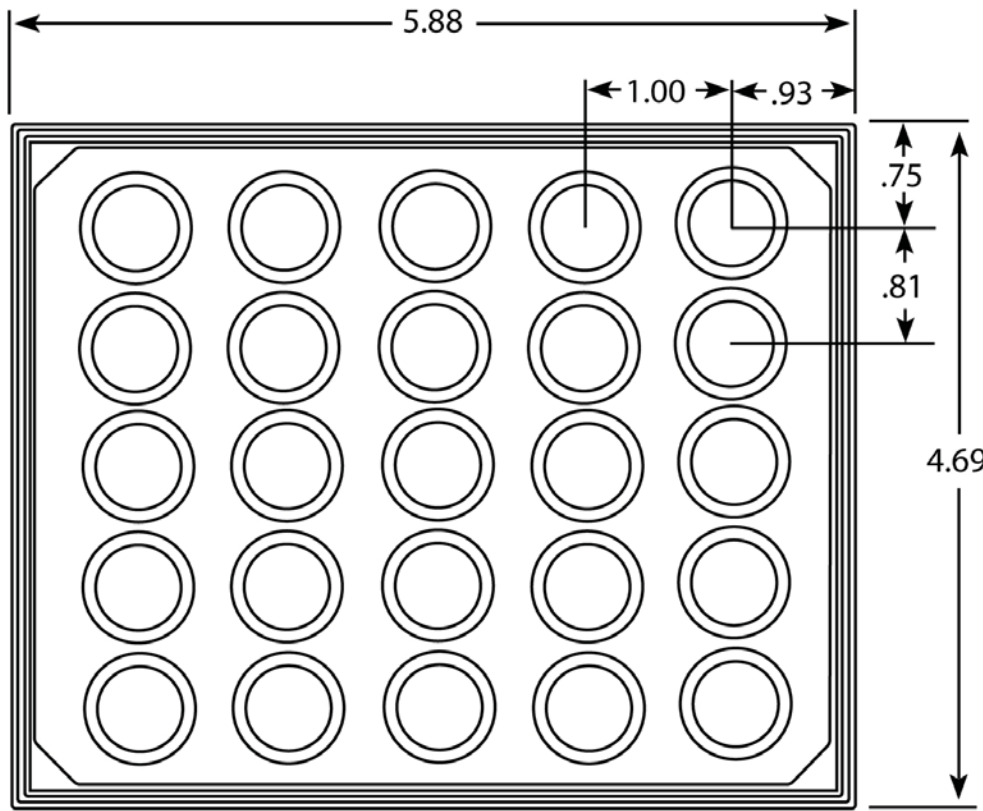


		REVISIONS	DATE	APPROVED
REV.	DESCRIPTION			



UNLESS OTHERWISE SPECIFIED
DIMENSIONS ARE IN INCHES
TOLERANCES ARE:

FRACTIONS	DECIMALS	ANGLES
+1/64	.XX±.01	±0.1
	.XXX±.001	
	.XXXX±.0005	

MATERIAL —

FINISH —

DO NOT SCALE DRAWING

DO NOT MANUALLY UPDATE

APPROVALS	DATE
DRAWN L. Scott	5/26/09
CHECKED	
RESP ENG	
MFG ENG	
QUAL ENG	



1310 Thurman Street
Lodi CA, 95240
Ph: (209) 333-2120
Fx: (209) 333-8623
tooling@scientificspecialties.com

4531
10mL tip

SIZE	SHRINK RATE	REV.
A		—
SCALE	JOB NO.	SHEET 1 OF 1

PRINTED