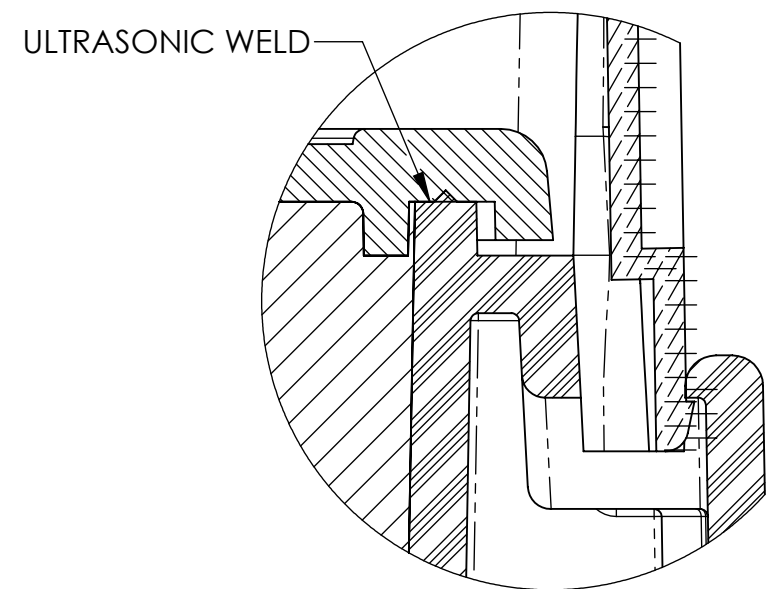
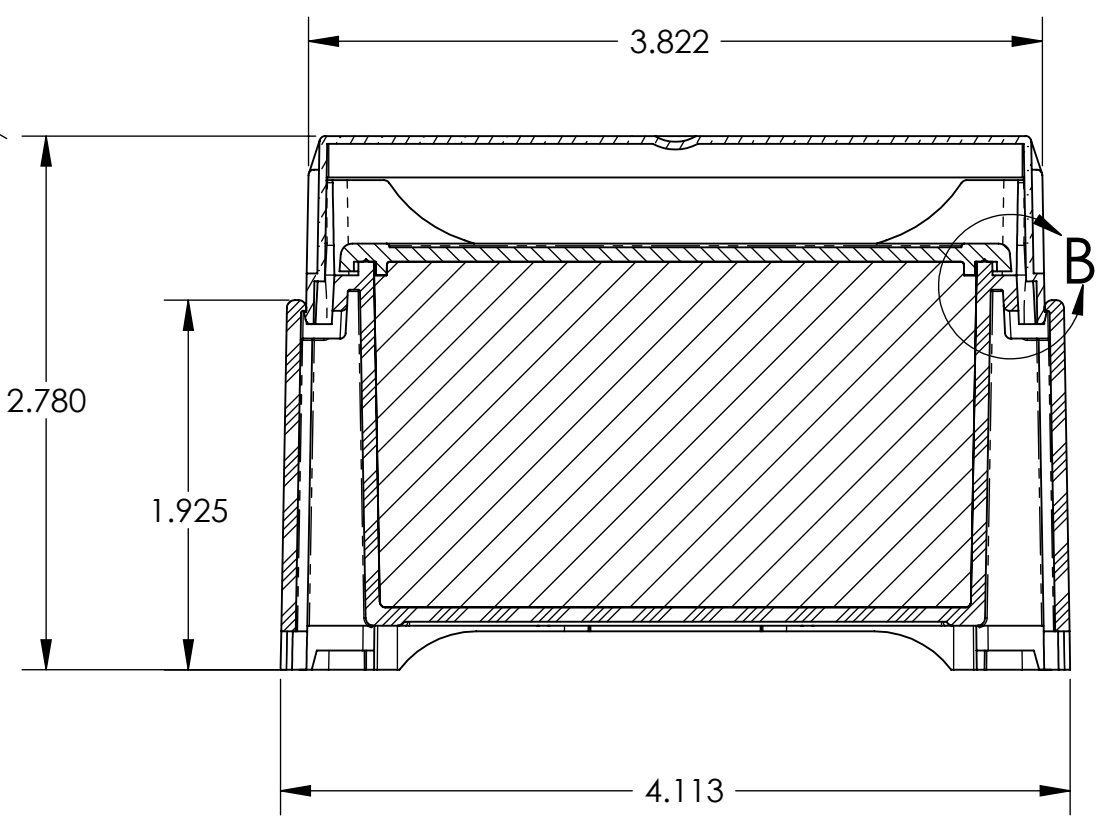
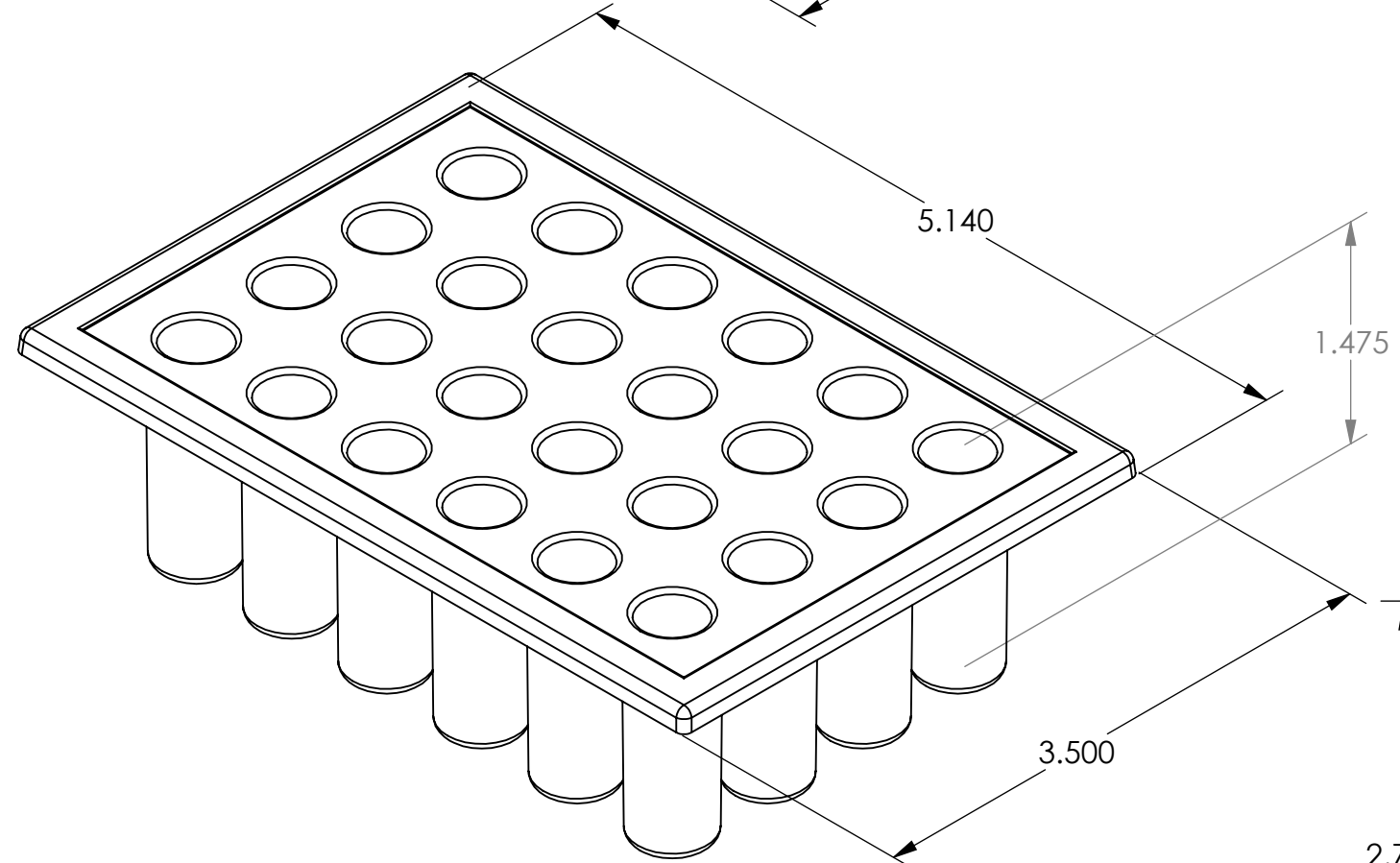
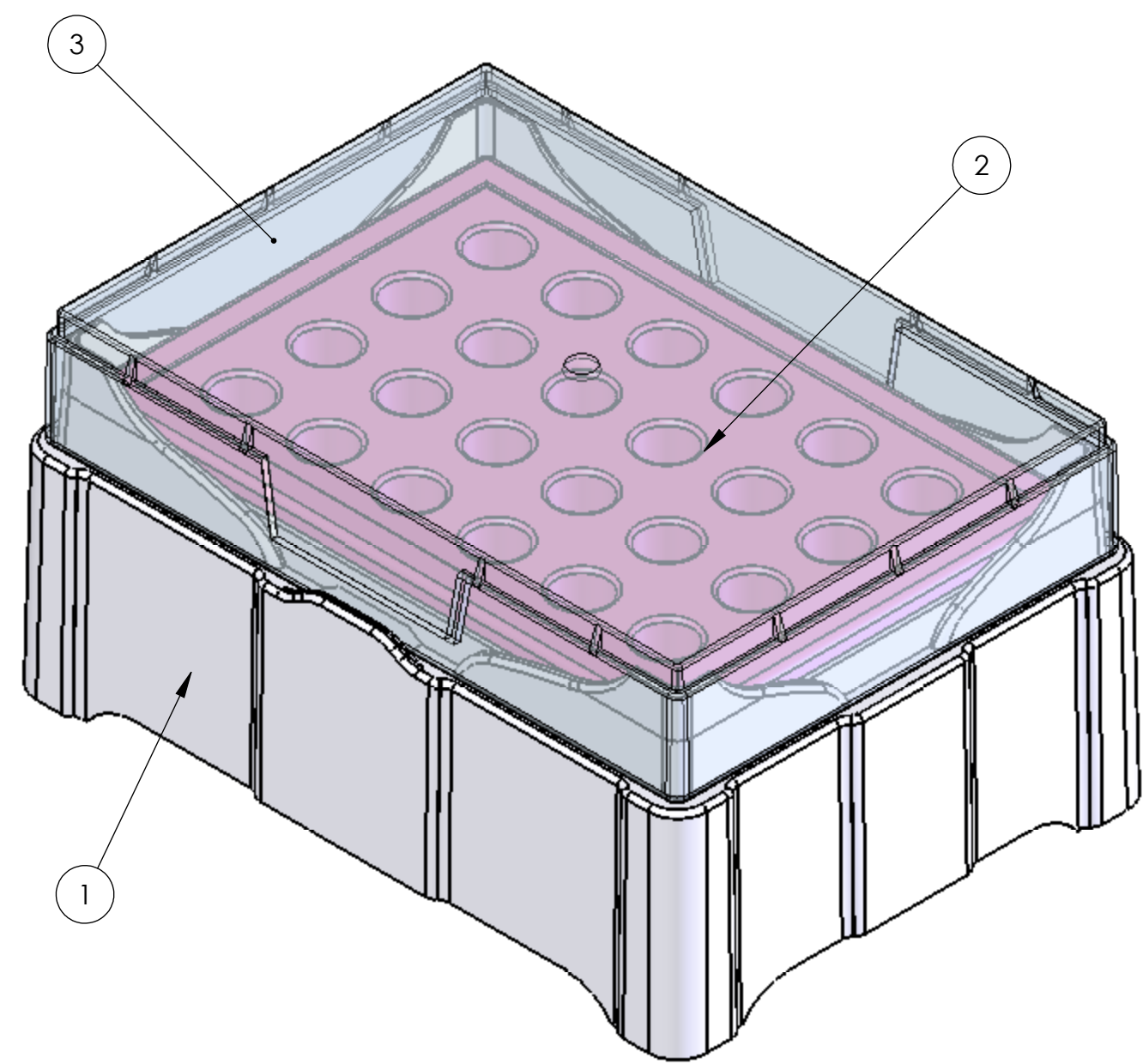
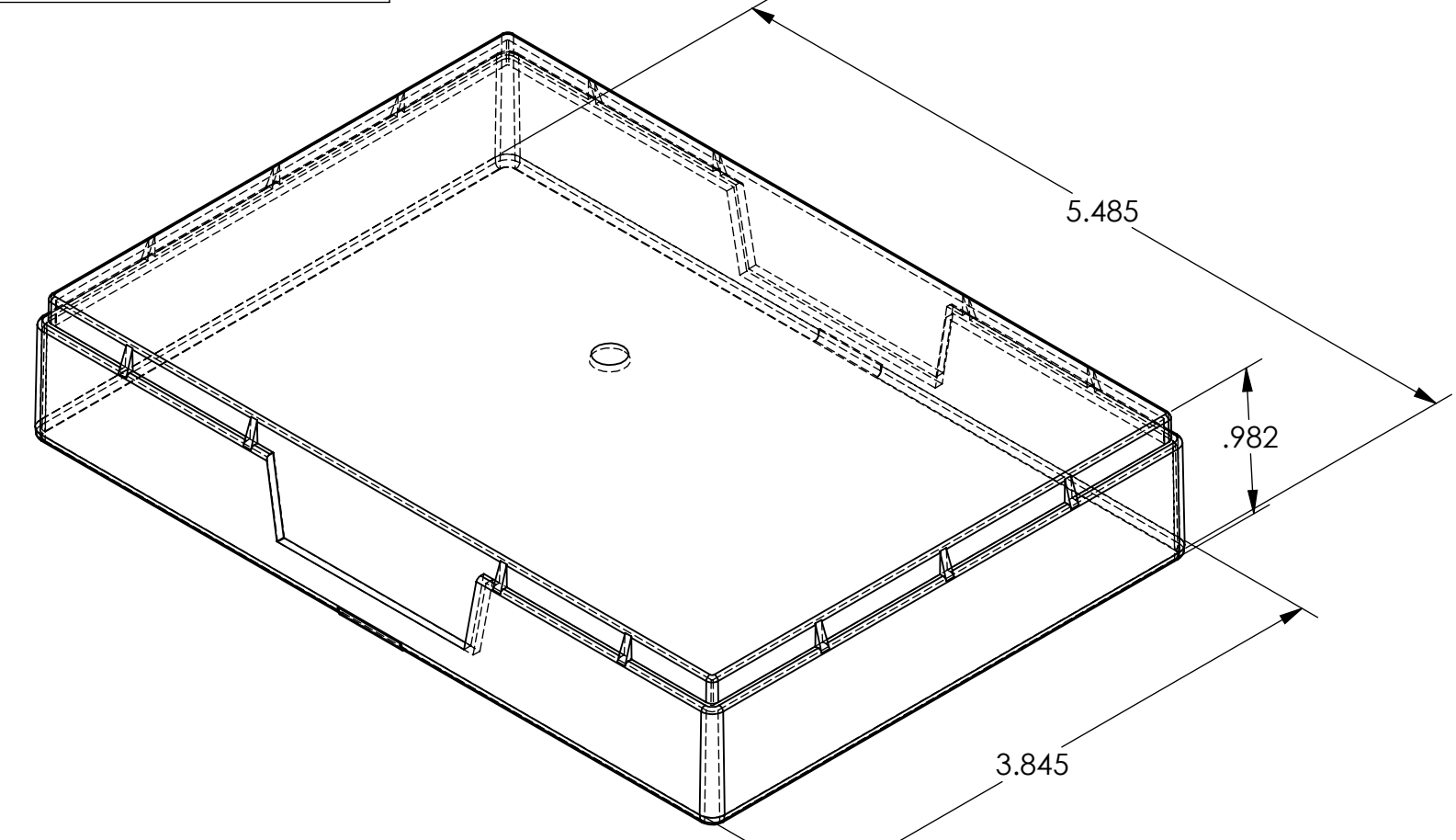
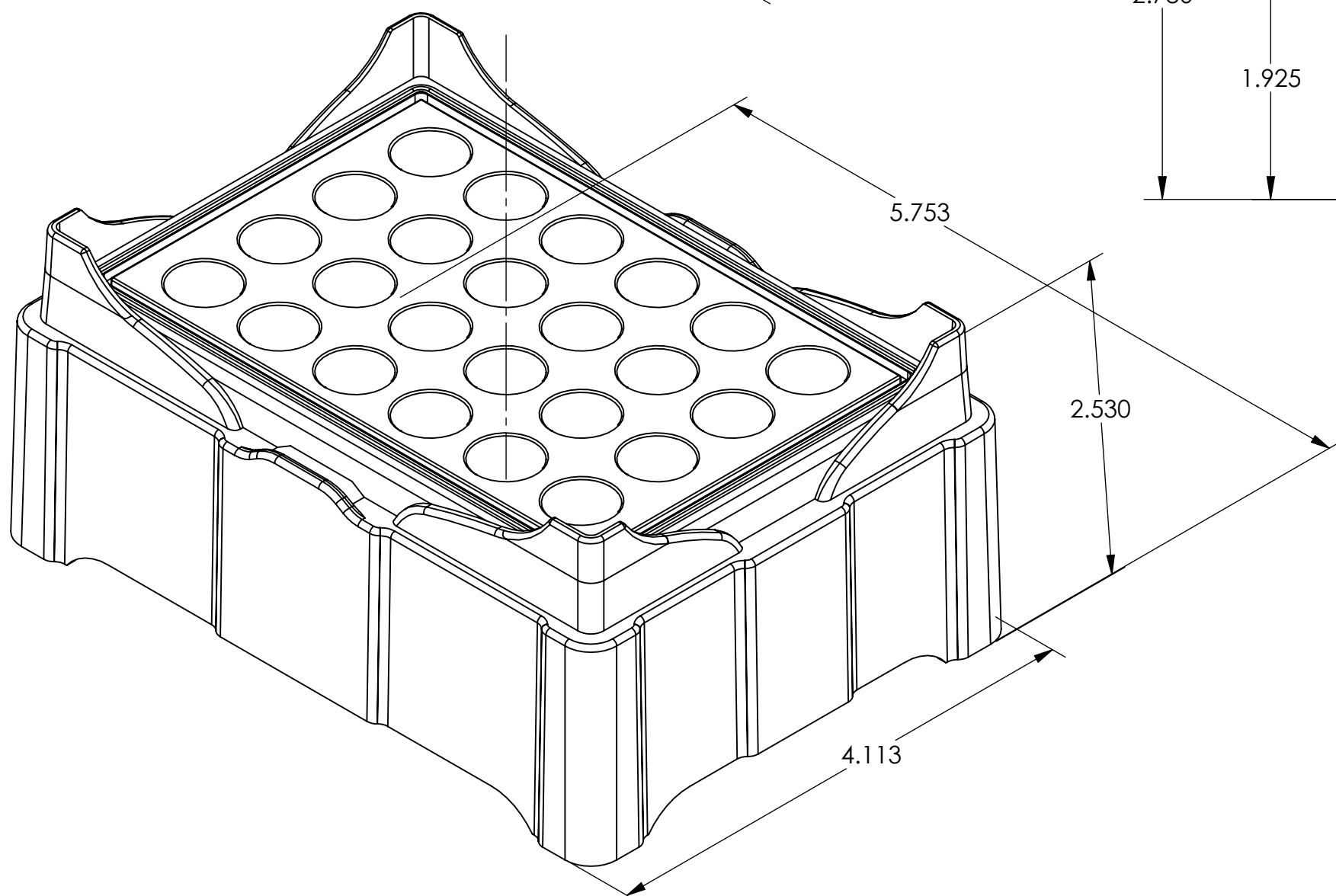


THE INFORMATION CONTAINED IN THIS DRAWING IS THE SOLE PROPERTY OF SCIENTIFIC SPECIALTIES INC. ANY REPRODUCTION IN PART OR WHOLE WITHOUT THE WRITTEN PERMISSION OF SCIENTIFIC SPECIALTIES INC. IS PROHIBITED.

REVISIONS		DATE	APPROVED
REV.	DESCRIPTION		




DETAIL B
SCALE 4 : 1



NO.	QTY.	PART NUMBER	DESCRIPTION
3	1	5241-00	LID, 96 WELL PCR TUBE RACK
2	1	56C030	RACK, TOP, 1.5mL ISOFREEZE
1	1	56C003	RACK, BOTTOM, 1.5mL ISOFREEZE

UNLESS OTHERWISE SPECIFIED DIMENSIONS ARE IN INCHES TOLERANCES ARE: FRACTIONS DECIMALS ANGLES ±1/64 .XX ± .01 ± 0.1		CAD GENERATED DRAWING. DO NOT MANUALLY UPDATE	
DRAWN S. KRAMER		DATE 5/3/2007	
CHECKED		APPROVALS	
MATERIAL		RESP ENG	
FINISH		MFG ENG	
DO NOT SCALE DRAWING		QUAL ENG	

		1310 Thurman Street Lodi CA, 95240 Ph: (209) 333-2120 Fax: (209) 333-8623 info@scientificspecialties.com	
5630-T4 RACK, 1.5mL ISOFREEZE			
SHEET	SHRINK RATE	REV.	DATE
C			5/13/2008
SCALE 1:1	JOB NO. --	SHEET 1 OF 1	PRINTED