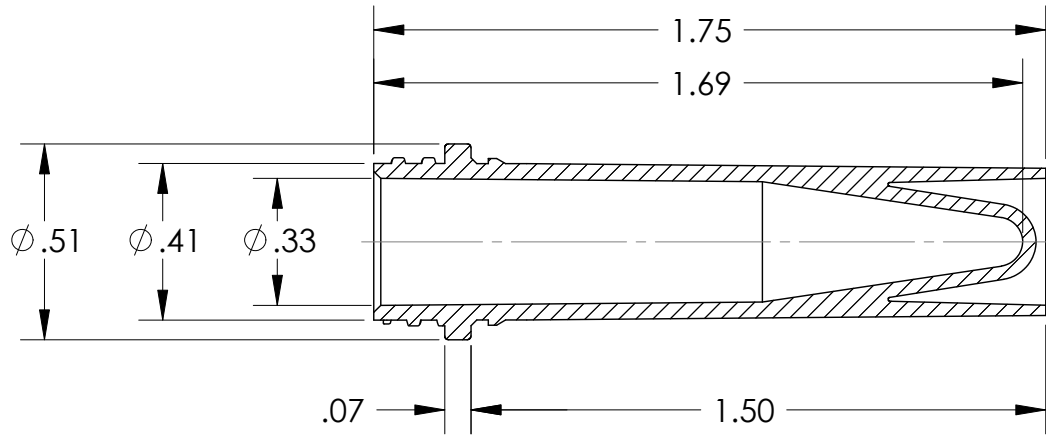
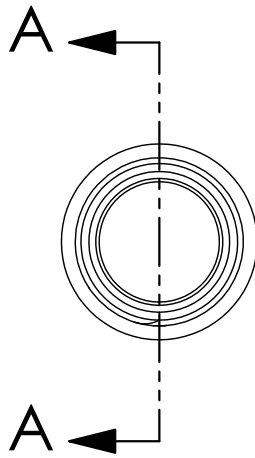
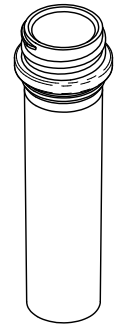


REVISIONS			
REV.	DESCRIPTION	DATE	APPROVED



## SECTION A-A



UNLESS OTHERWISE SPECIFIED DIMENSIONS ARE IN INCHES TOLERANCES ARE: FRACTIONS DECIMALS ANGLES +1/64 .XX ± .01 + 1 .XXX ± .001 .XXXX ± .0005	CAD GENERATED DRAWING, DO NOT MANUALLY UPDATE	
	APPROVALS	DATE
	DRAWN S. KRAMER	12/9/2004
	CHECKED	
	RESP ENG	
MATERIAL	--	MFG ENG
FINISH	--	QUAL ENG
DO NOT SCALE DRAWING		



**1310 Thurman Street**  
**Lodi CA, 95240**  
**Ph: (209) 333-2120**  
**Fx: (209) 333-8623**  
 tooling@scientificspecialties.com

<h1 style="margin: 0;">2240-00</h1> <h2 style="margin: 0;">SCREW CAP TUBE, 1.5mL, FREE STANDING</h2>		
SIZE <b>A</b>	SHRINK RATE	REV. --
SCALE 2:1	JOB NO.	SHEET 1 OF 1

PRINTED 12/10/2004