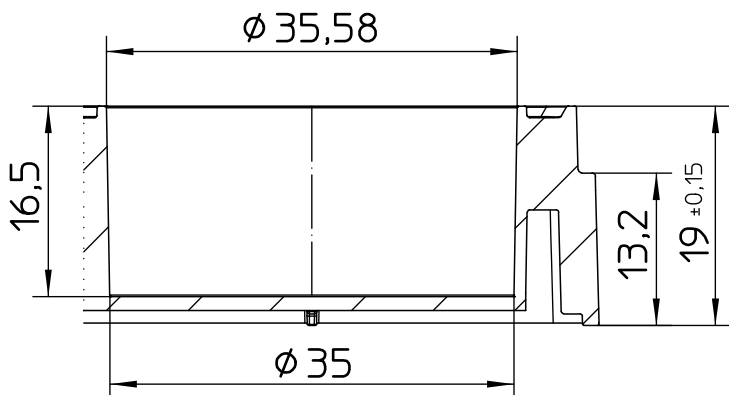
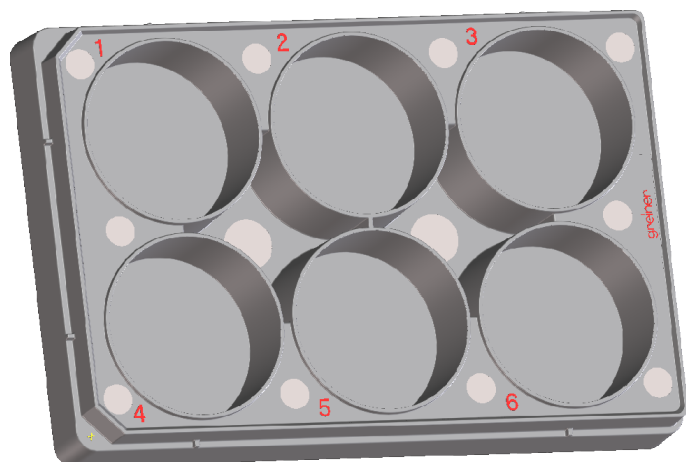
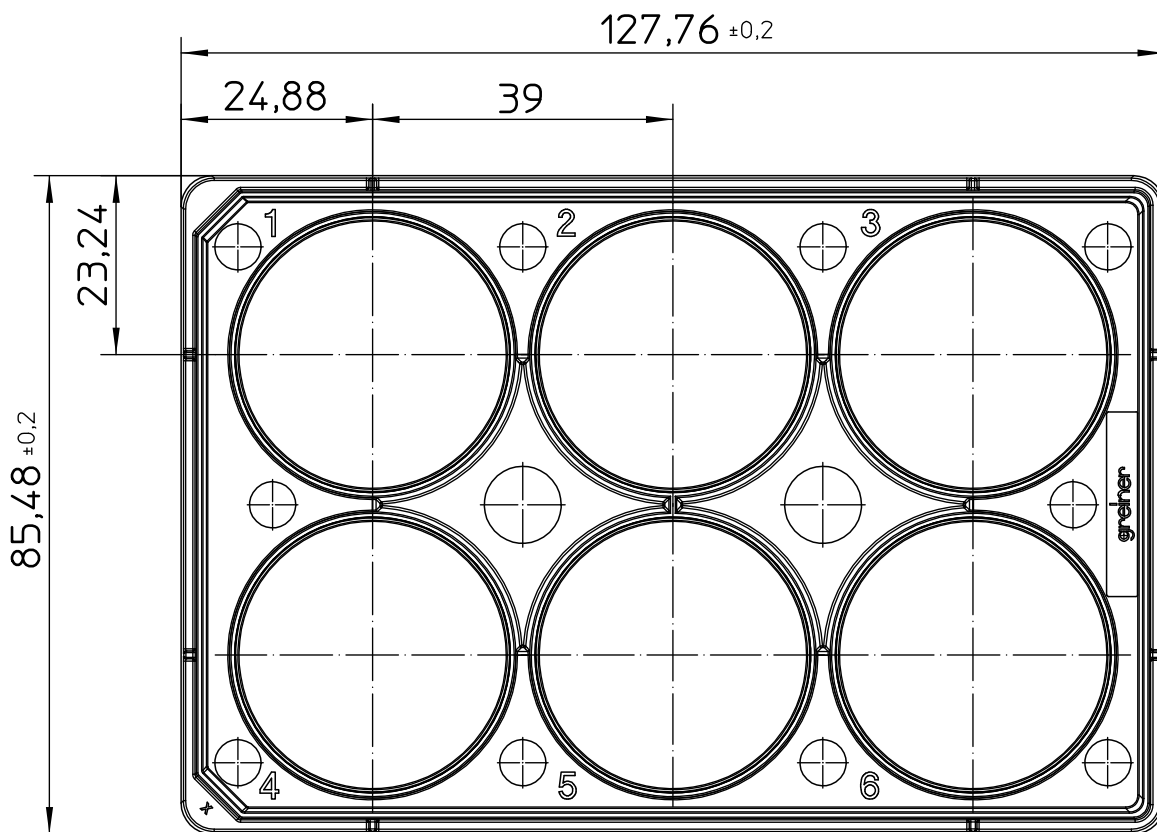
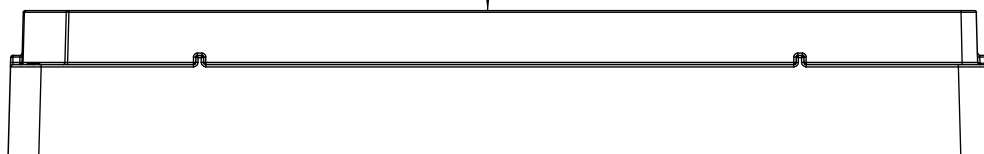




Valid for Item-No.: 657102, 657160, 657185



Curvature max.0,2



"All dimensions in mm"

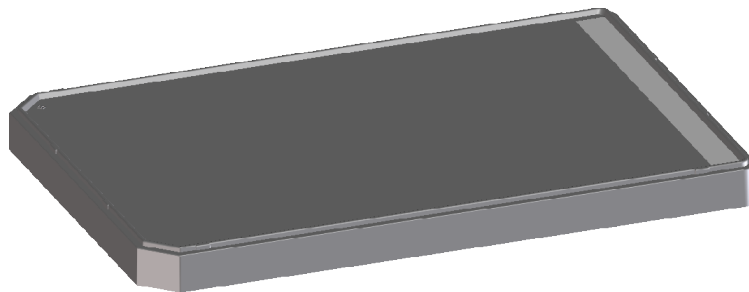
Customer drawing subject to change without notice!

Uncontrolled Copy

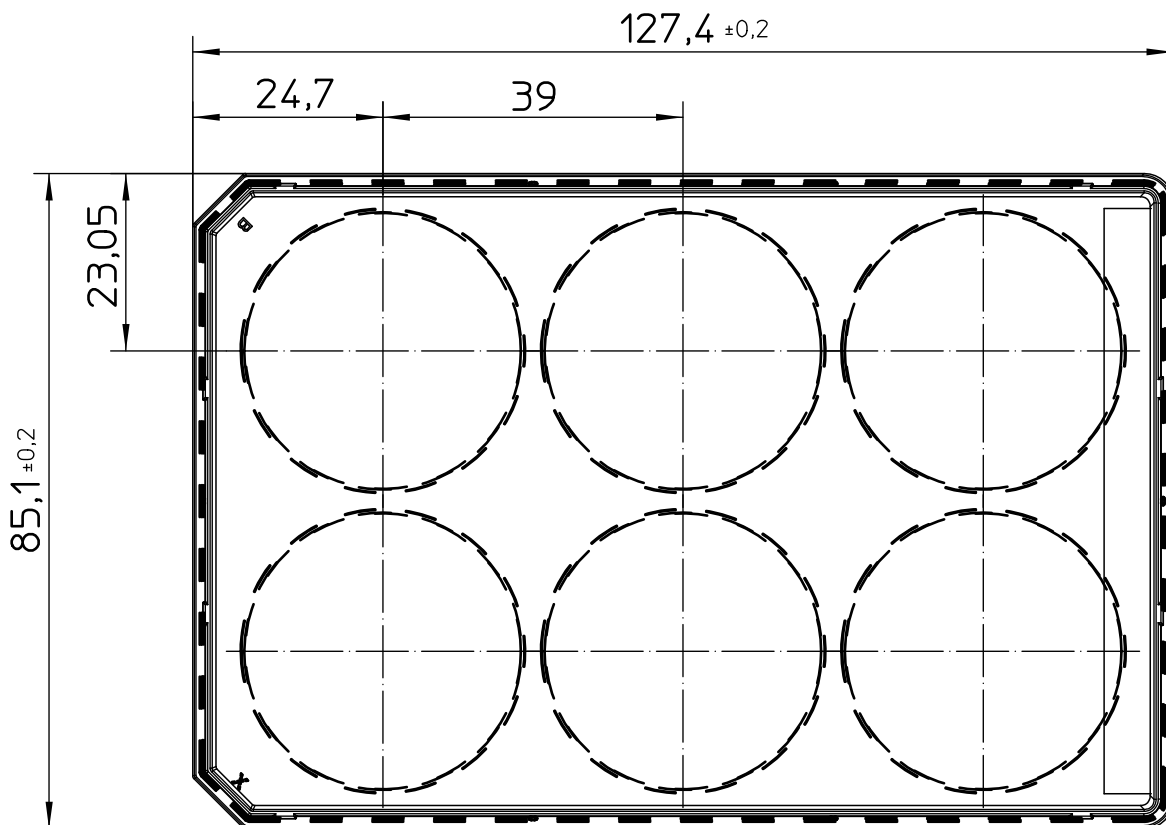
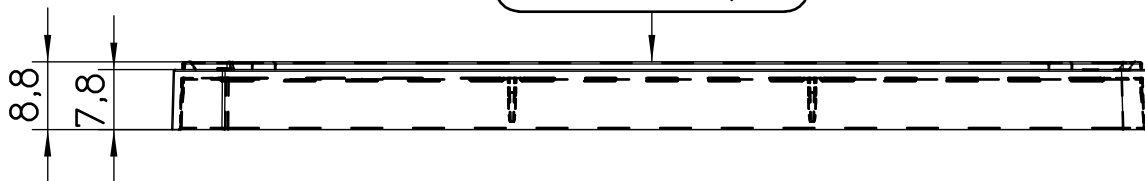
Prior Issue	Drawn	Approved	Released	CONFIDENTIAL: Information contained in this document or drawing is confidential and proprietary to Greiner Bio-One GmbH. This document may not be reproduced for any reason without written permission from Greiner Bio-One GmbH. All rights of design, invention, and copyright are reserved.
Revision	Date	Date	Date	
5	2011/06/22	2017/05/11	2017/05/11	
Date	Name	Name	Name	
2016/06/20	forb	schwarzj	sonntag	



Valid for Item-No.: 657102, 657160, 657185



Curvature +0,3
-0,1



"All dimensions in mm"

Customer drawing subject to change without notice!

Uncontrolled Copy

Prior Issue	Drawn	Approved	Released	CONFIDENTIAL: Information contained in this document or drawing is confidential and proprietary to Greiner Bio-One GmbH. This document may not be reproduced for any reason without written permission from Greiner Bio-One GmbH. All rights of design, invention, and copyright are reserved.
Revision 5	Date 2011/06/22	Date 2017/05/11	Date 2017/05/11	
Date 2016/06/20	Name forb	Name schwarzj	Name sonntag	