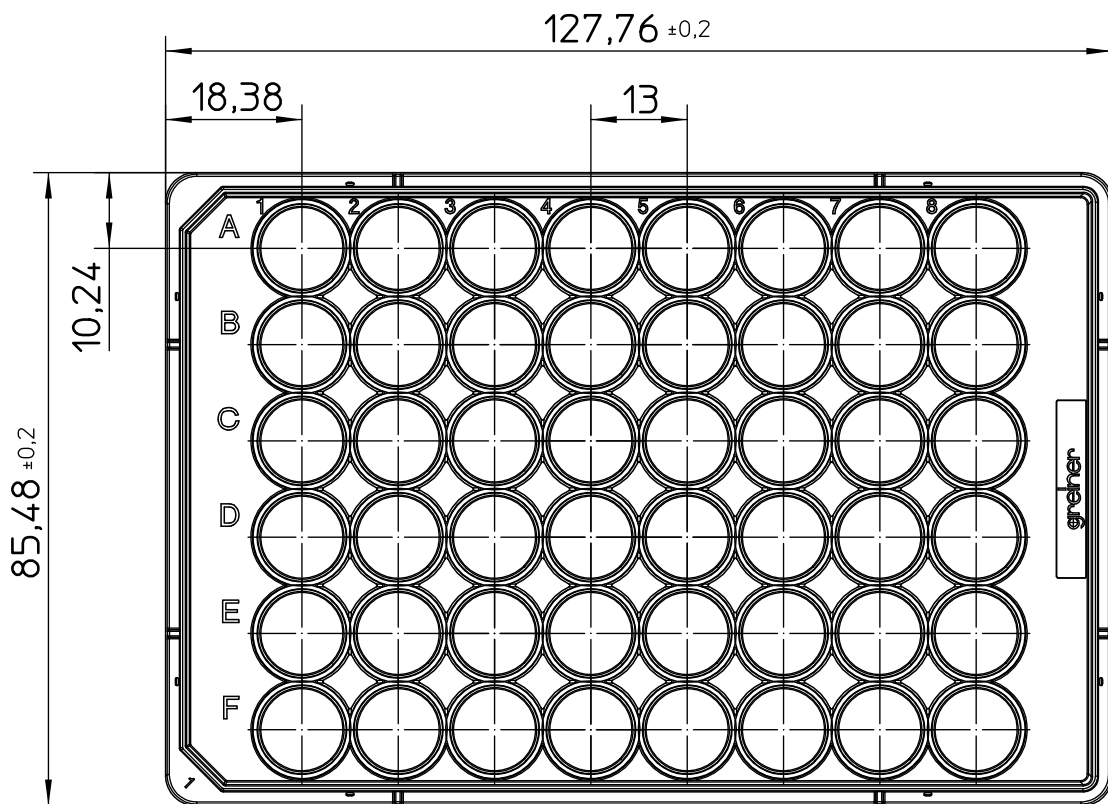
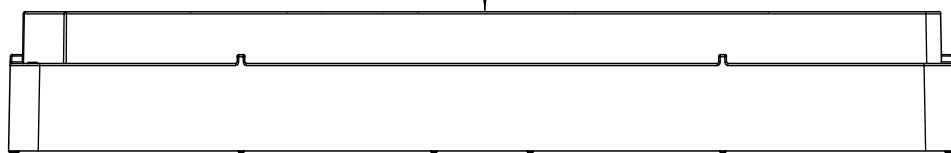


Curvature +0,2  
-0,1



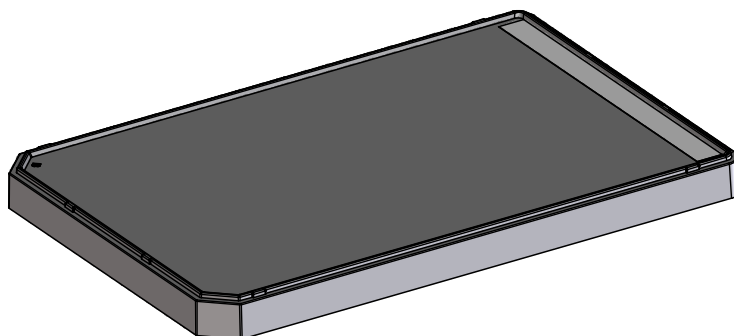
"All dimensions in mm"

Customer drawing subject to change without notice!

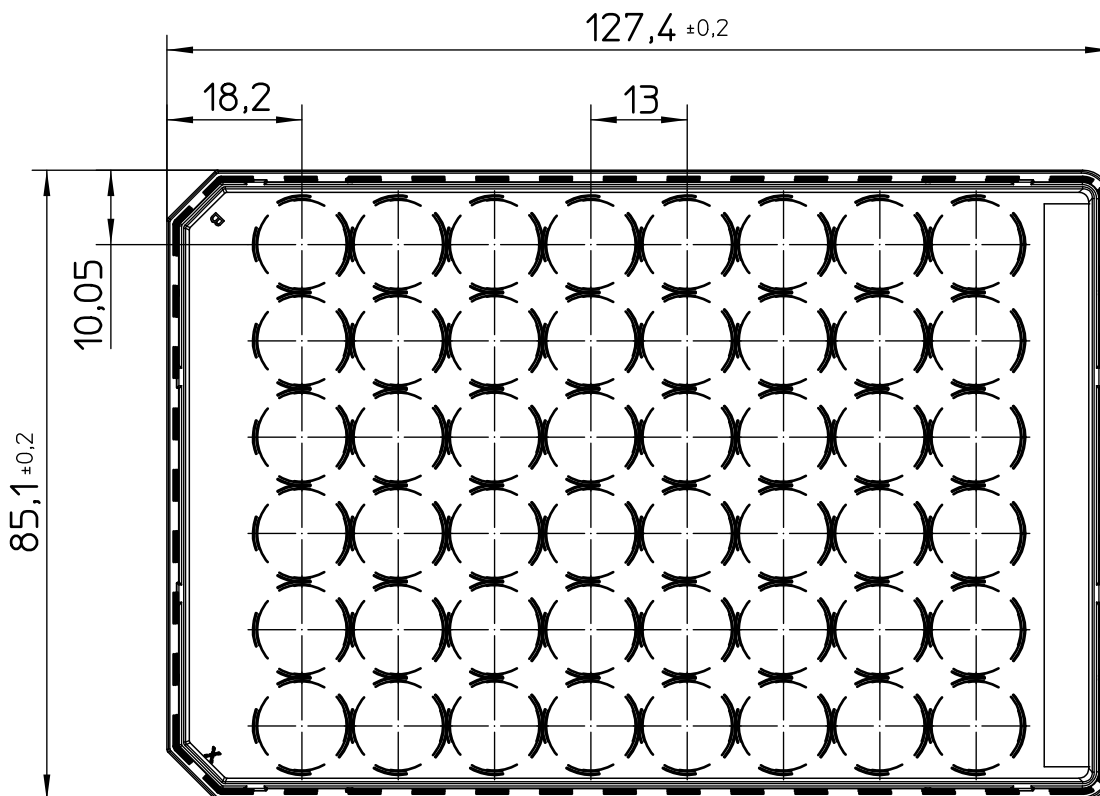
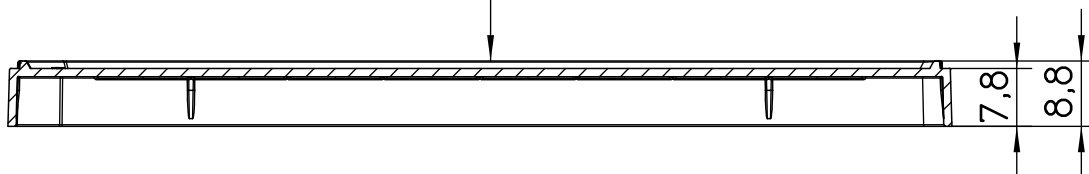
Uncontrolled Copy

Prior Issue	Drawn	Approved	Released	CONFIDENTIAL: Information contained in this document or drawing is confidential and proprietary to Greiner Bio-One GmbH. This document may not be reproduced for any reason without written permission from Greiner Bio-One GmbH. All rights of design, invention, and copyright are reserved.
Revision 3	Date 2011/05/02	Date 2017/01/31	Date 2017/01/31	
Date 2016/06/20	Name forb	Name schwarzj	Name sonntag	

Valid for Item-No.: 677102, 677180



Curvature +0,3  
-0,1



"All dimensions in mm"

Customer drawing subject to change without notice!

Uncontrolled Copy

Prior Issue	Drawn	Approved	Released	CONFIDENTIAL: Information contained in this document or drawing is confidential and proprietary to Greiner Bio-One GmbH. This document may not be reproduced for any reason without written permission from Greiner Bio-One GmbH. All rights of design, invention, and copyright are reserved.
Revision 3	Date 2011/05/02	Date 2017/01/31	Date 2017/01/31	
Date 2016/06/20	Name forb	Name schwarzj	Name sonntag	