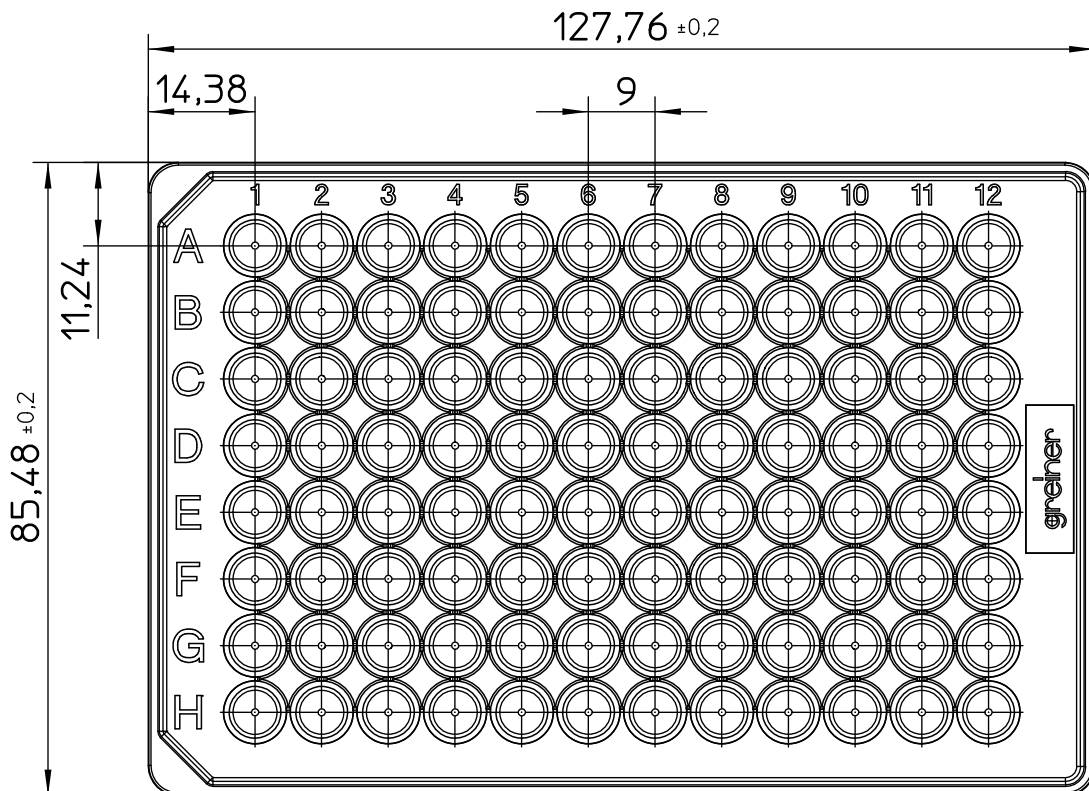
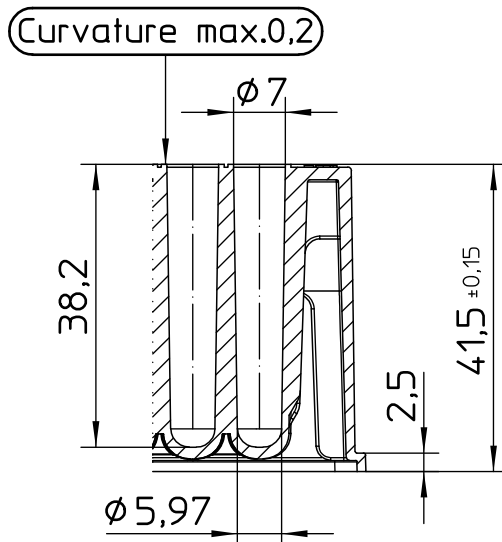
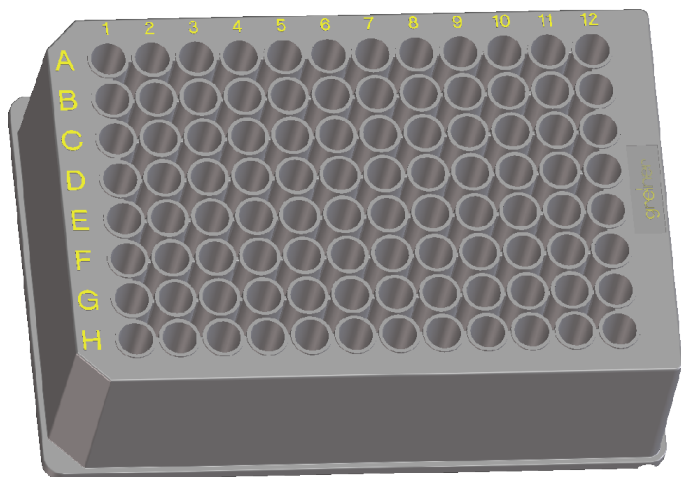




Valid for Item-No.: 780201, 780210, 780215, 780261



"All dimensions in mm"

Customer drawing subject to change without notice!

Uncontrolled Copy

Prior Issue	Drawn	Approved	Released	CONFIDENTIAL: Information contained in this document or drawing is confidential and proprietary to Greiner Bio-One GmbH. This document may not be reproduced for any reason without written permission from Greiner Bio-One GmbH. All rights of design, invention, and copyright are reserved.
Revision 5	Date 2010/12/17	Date 2017/05/15	Date 2017/05/15	
Date 2016/09/15	Name forb	Name schwarzj	Name sonntag	