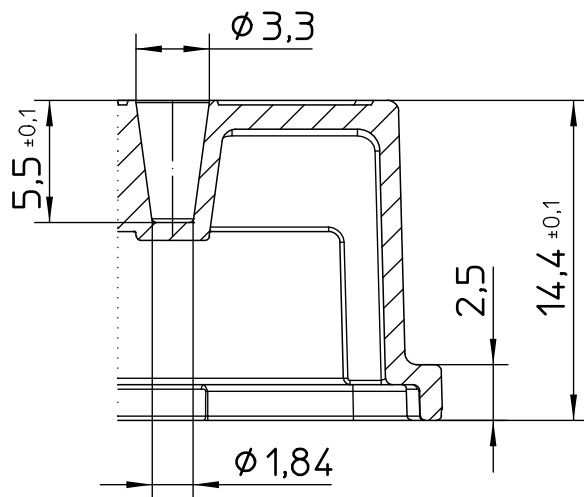
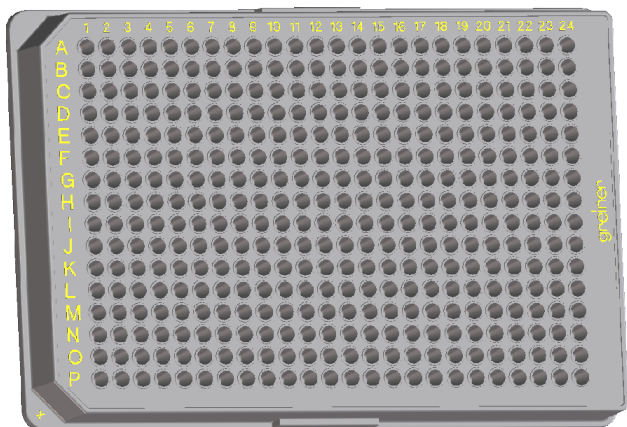
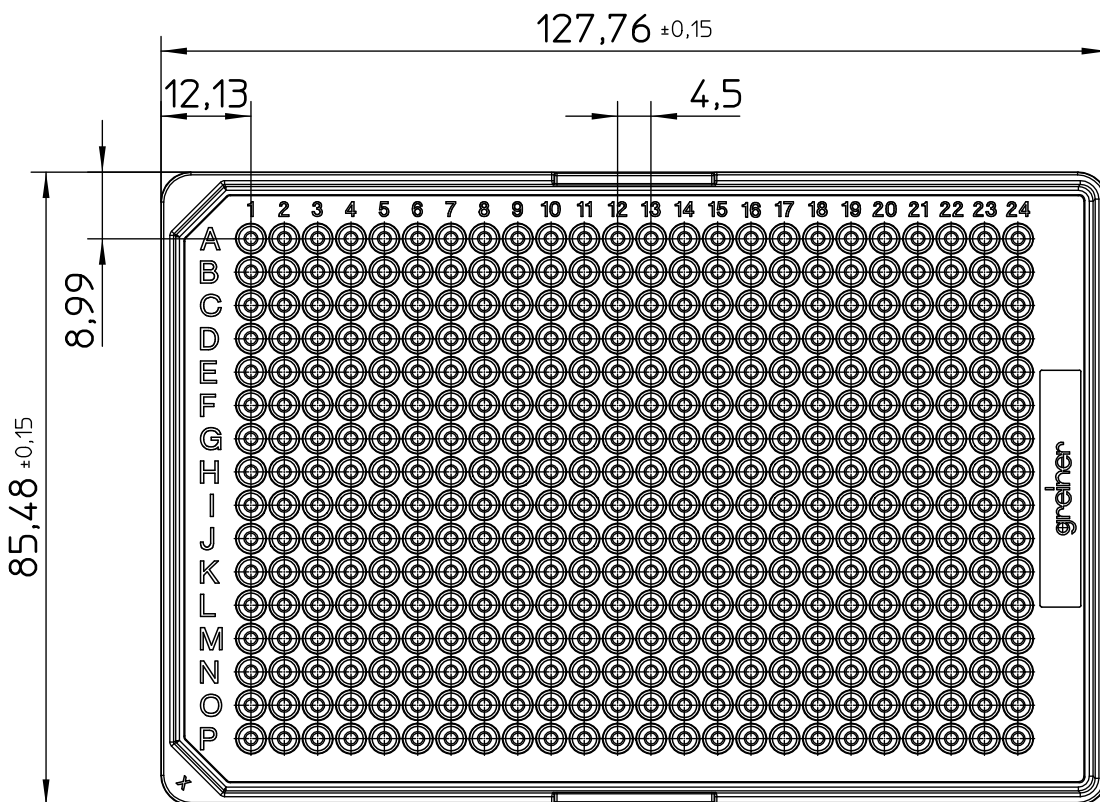
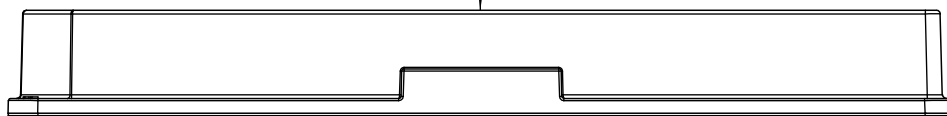


Valid for Item-No.: 784075, 784075-25, 784076, 784076-25, 784101



Curvature max.0,15



"All dimensions in mm"

Customer drawing subject to change without notice!

Uncontrolled Copy

Prior Issue	Drawn	Approved	Released	CONFIDENTIAL: Information contained in this document or drawing is confidential and proprietary to Greiner Bio-One GmbH. This document may not be reproduced for any reason without written permission from Greiner Bio-One GmbH. All rights of design, invention, and copyright are reserved.
Revision 2	Date 2014/04/29	Date 2017/02/07	Date 2017/02/07	
Date 2015/03/10	Name schwarzej	Name kessler	Name sonntag	