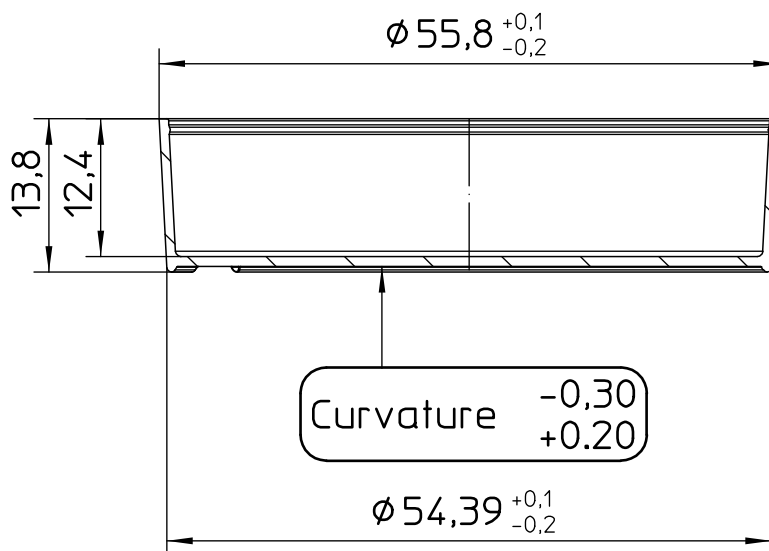
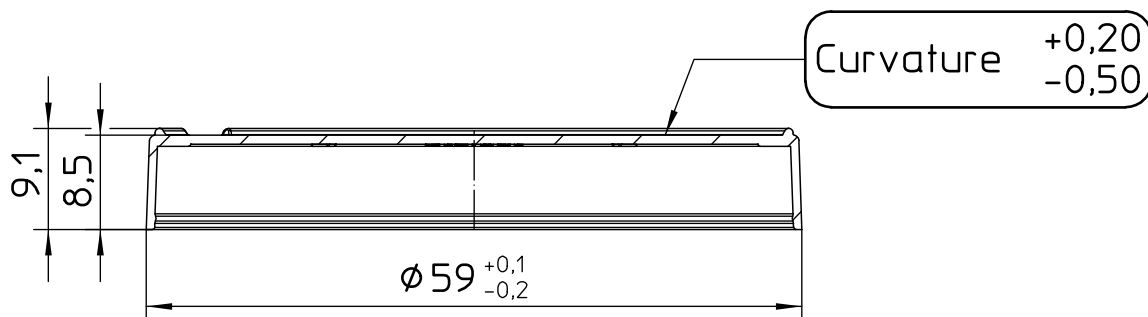
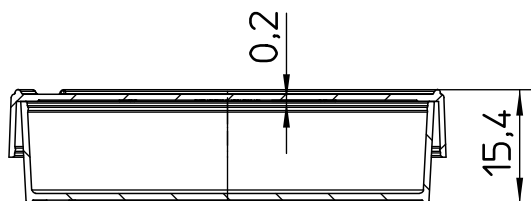
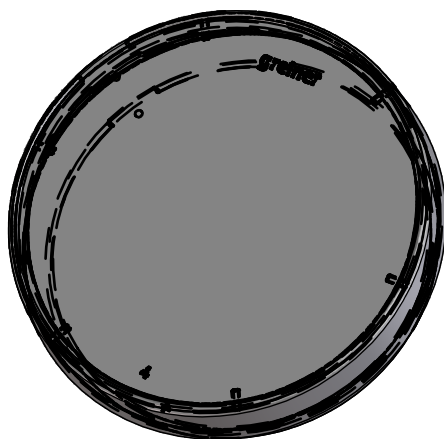




Valid for Item-No.: 628102, 628160, 628160-TRI, 628161



"All dimensions in mm"

Customer drawing subject to change without notice!

Uncontrolled Copy

Prior Issue	Drawn	Approved	Released	CONFIDENTIAL: Information contained in this document or drawing is confidential and proprietary to Greiner Bio-One GmbH. This document may not be reproduced for any reason without written permission from Greiner Bio-One GmbH. All rights of design, invention, and copyright are reserved.
Revision	Date 2017/11/03	Date 2017/11/21	Date 2017/11/21	
Date	Name gerlach	Name schwarzj	Name sonntag	